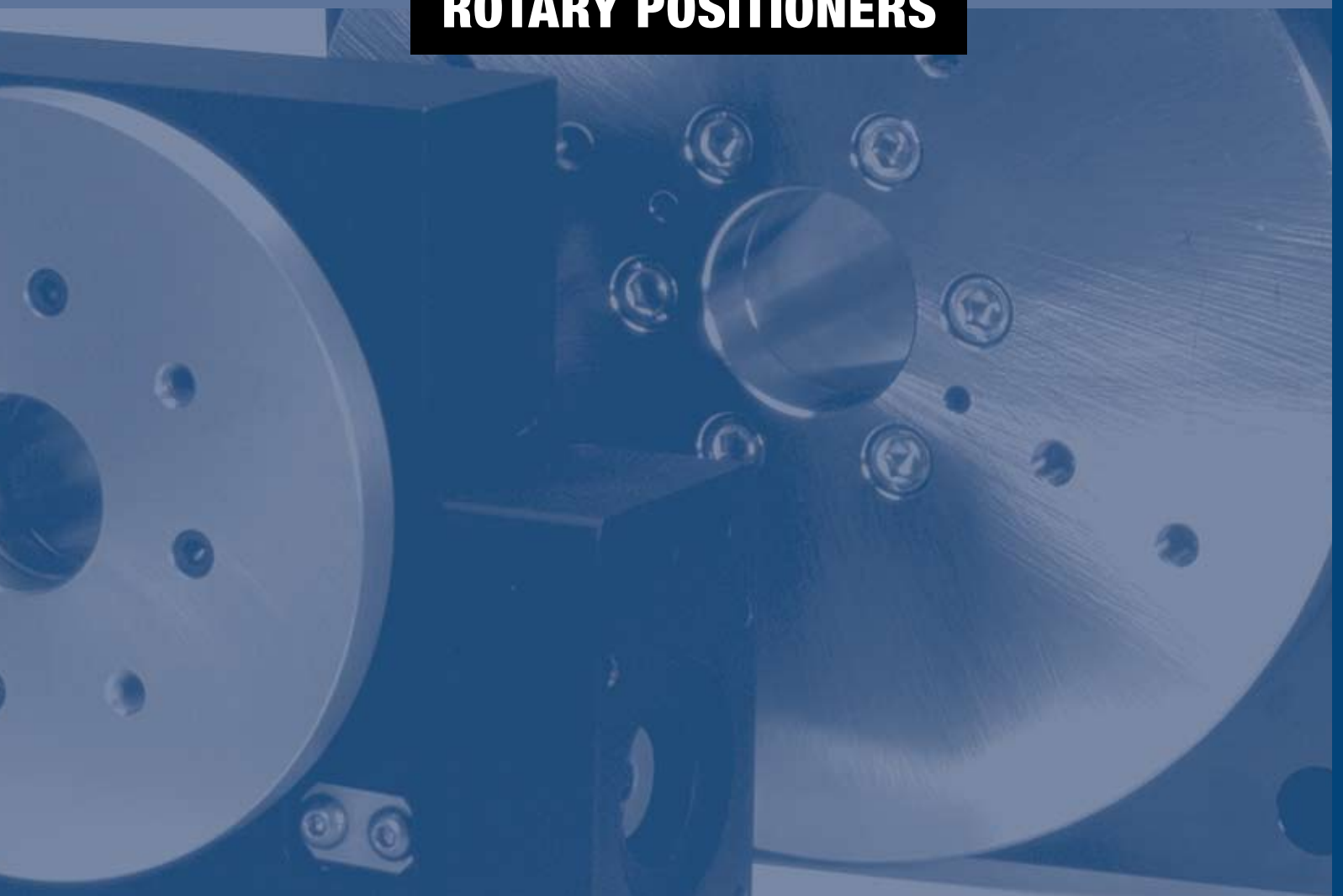


ROTARY POSITIONERS



RT Series Rotary Stage Design

Medium Load Capacity Rotary Table Series

Newmark's line of rotary stages offer high resolution and repeatability. Newmark rotary stages are suitable for a wide number of uses ranging from lightweight positioning of optics to light duty machine tool applications.



RT-2 Series

- Compact design
- Size 17 stepper motor



RT-3 Series

- Low cost
- Size 17 stepper motor

All rotary stages are machined from 6061 aluminum alloy to provide a light yet stiff and stable stage.

The design takes advantage of a thrust bearing systems for the table movement. This design approach offers excellent stability and low cost. The stages are offered with different gear ratio options. A proprietary gear preload system insures zero backlash in the gear train.



RT-5 Series

- Low profile
- Size 17 stepper motor



Digital Read Out Unit

This is a smart, user-friendly alternative to cumbersome outdated micrometer arrangements. This product offers instant position feedback with the use of a 8 digit display. Any of the RT Series rotary stage can be configured to use the DRO unit.

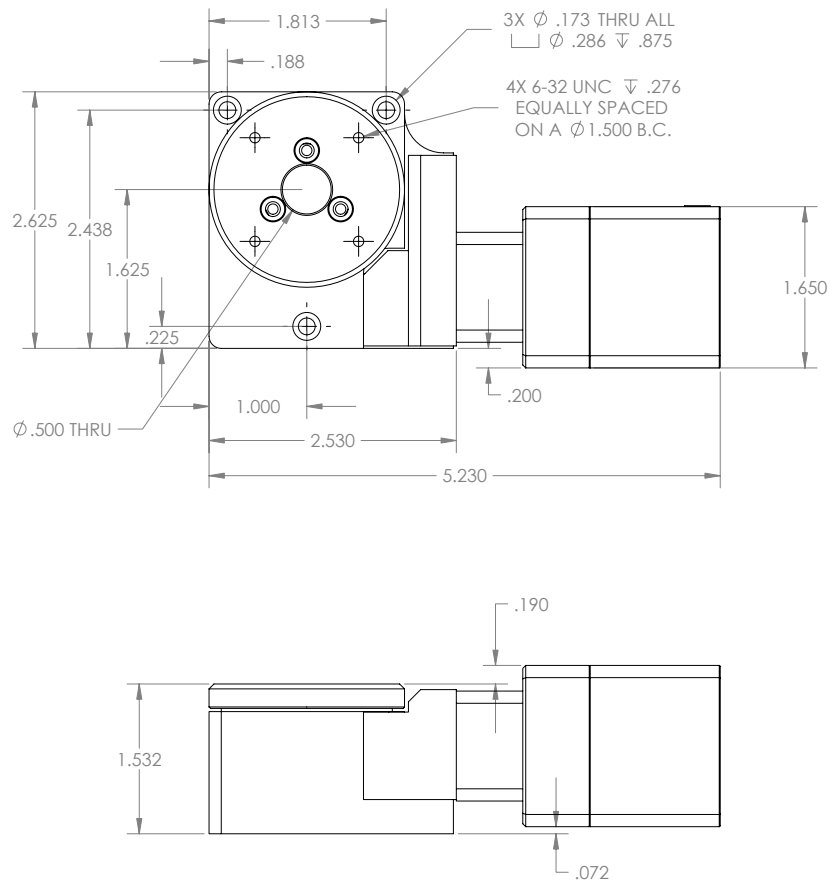
RT-2 Series Rotary Stage

RT-2 Specifications

Repeatability	5 arc-seconds
Resolution	0.32 arc-seconds (Microstepping)
Gear Ratio	80:1
Motor Size	Nema 17
Max. Load	15 lbs.
Moment	15 in-lb
Max. Speed	20°/sec
Travel	360° Continuous
Stage Weight	1lb.



Dimensions

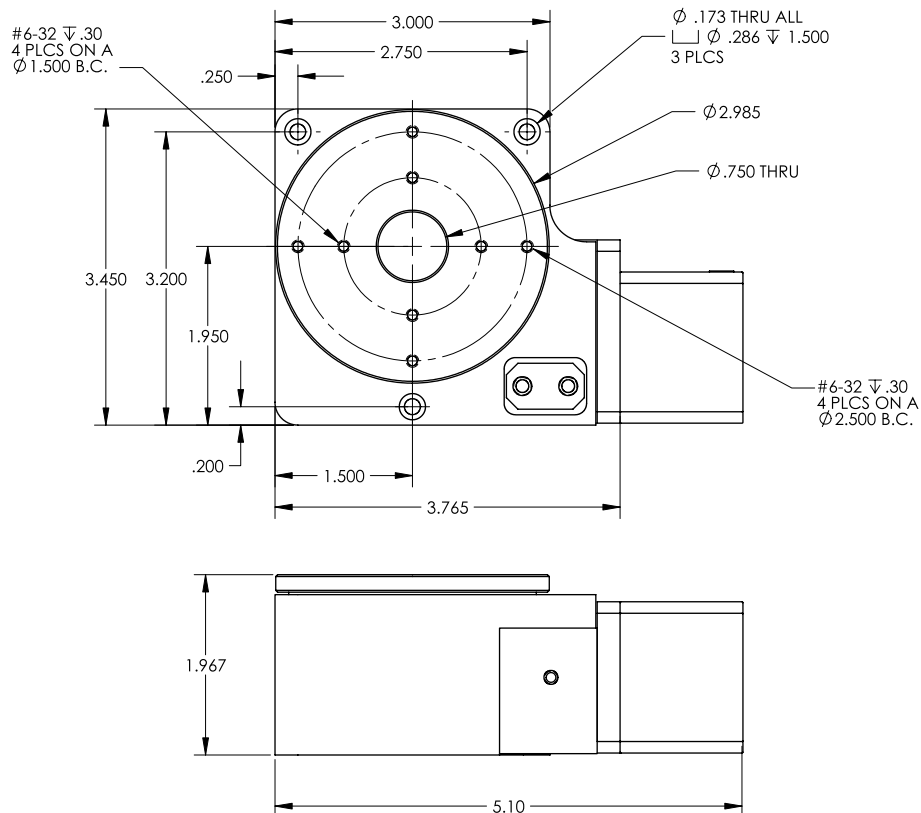


RT-3 Series Rotary Stage

RT-3 Specifications	
Resolution	0.29 arc-seconds (Microstepping)
Gear Ratio	90:1
Max. Load	45 lbs.
Moment	45 in-lbs.
Travel	360° Continuous
Max. input Speed	900 RPM
Stage Weight	3.5 lbs.
Finish	Black Anodize



Dimensions



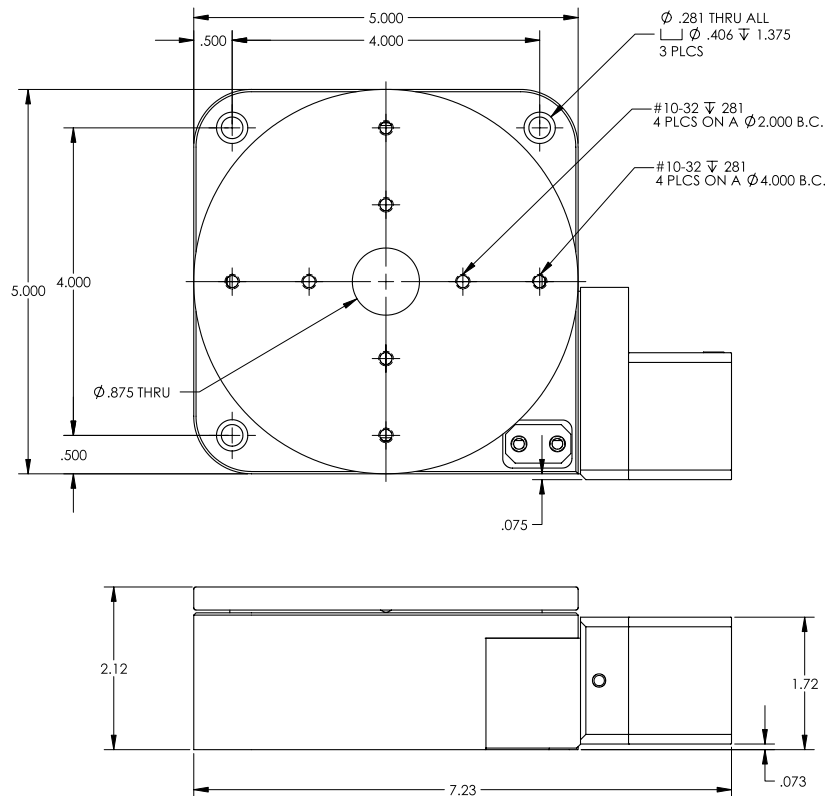
RT-5 Series Rotary Stage

RT-5 Specifications

Repeatability	5 arc-seconds
Resolution	0.36 arc-seconds (Microstepping)
Gear Ratio	72:1
Motor Size	Nema 17
Max. Load	100 lbs.
Moment	96 in-lbs
Max. input Speed	1200 RPM
Travel	360° Continuous
Stage Weight	5 lbs.



Dimensions



RM Series Rotary Stage Design

High Performance Series

Newmark's line of rotary stages offer high resolution and repeatability. Newmark rotary stages are suitable for a wide number of uses ranging from lightweight positioning of optics to heavy duty machine tool applications.

All rotary stages are machined from 6061 aluminum alloy to provide a light yet stiff and stable stage.

The design takes advantage of a single preloaded crossed roller bearing for the table movement. This design approach eliminates the use of a dual bearing configuration thus improving on axial runout and wobble. The stages are offered with different gear ratio options. A proprietary gear preload system insures zero backlash in the gear train.



RM-3 Series

- 3" dia. top
- Compact design
- Size 17 stepper motor



RM-5 Series

- 5" dia. top
- Low cost
- Size 23 stepper motor



RM-8 Series

- 8" dia. top
- High load capacity
- Belt or direct drive



RMS-5 Series

- 5" dia. top
- Sealed
- Custom top plates



Digital Read Out Unit

This is a smart, user-friendly alternative to cumbersome outdated micrometer arrangements. This product offers instant position feedback with the use of a 8 digit display. Any of the RM Series rotary stage can be configured to use the DRO unit.

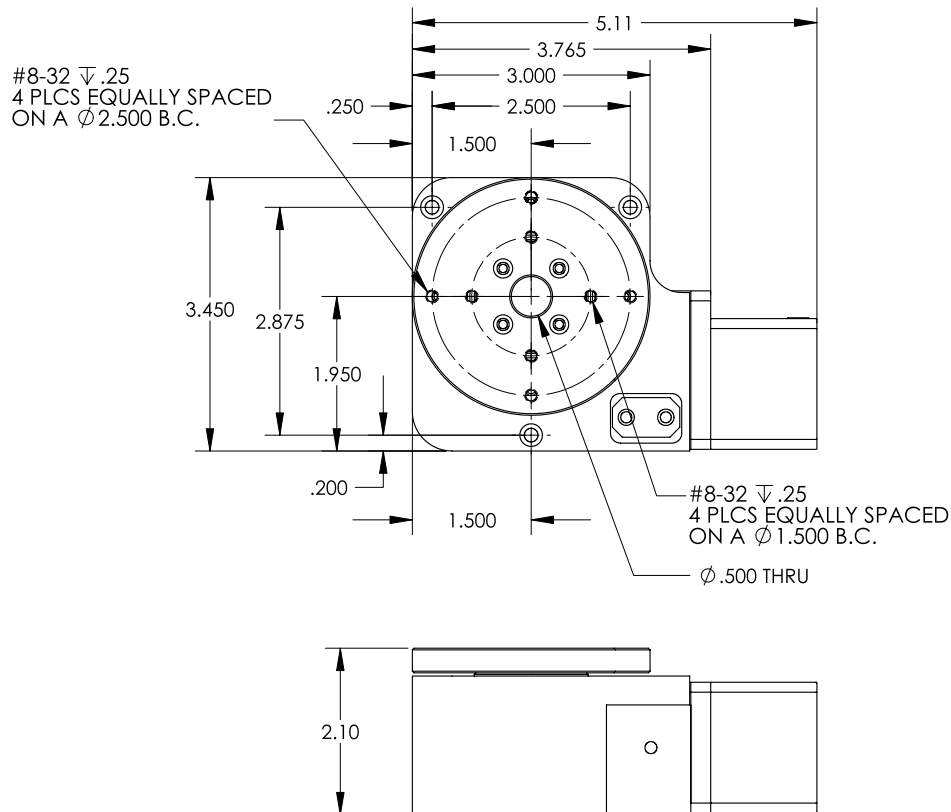
RM-3 Series Rotary Stage

RM-3 Specifications

Repeatability	5 arc-seconds
Resolution	0.29 arc-seconds (Microstepping)
Gear Ratio	90:1
Motor Size	Nema 17
Max. Load	150 lbs.
Moment	150 in-lb
Max. Input Speed	900 RPM
Travel	360° Continuous
Stage Weight	3 lbs.



Dimensions



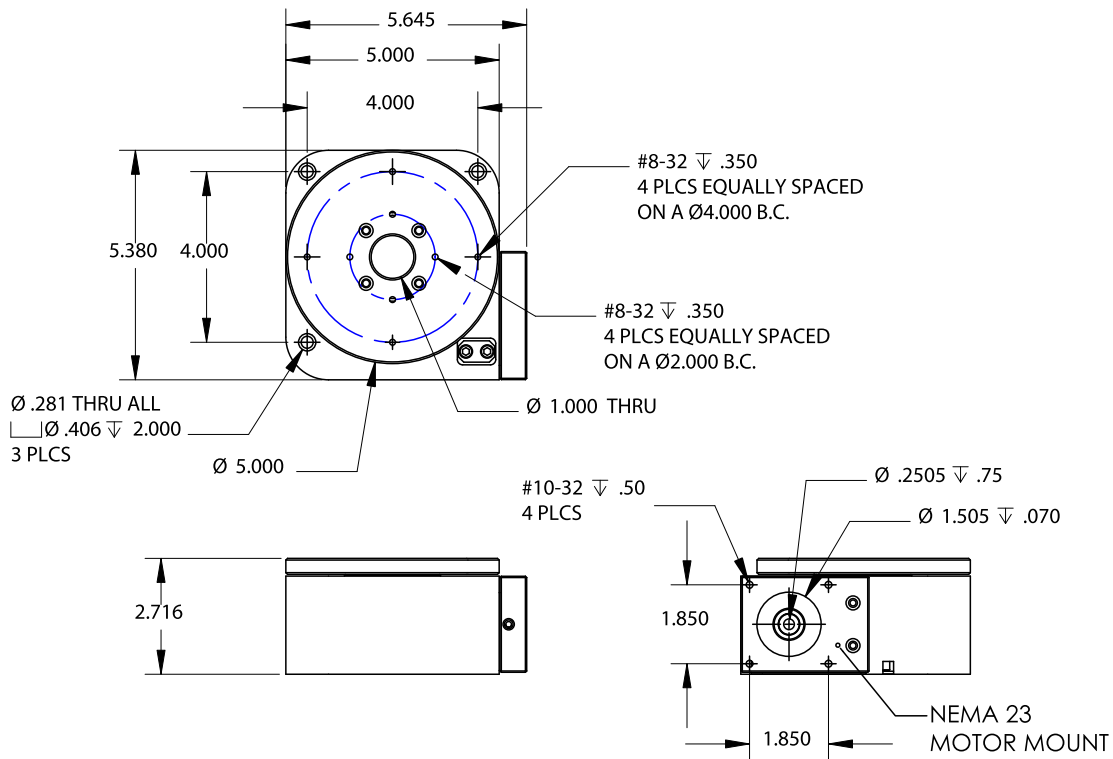
RM-5 Series Rotary Stage

RM-5 Specifications

Repeatability	5 arc-seconds
Resolution	0.36 arc-seconds (Microstepping)
Gear Ratio	72:1
Motor Size	Nema 23
Max. Load	275 lbs.
Moment	260 in•lb
Max. Input Speed	1200 RPM
Travel	360° Continuous
Stage Weight	8 lbs.



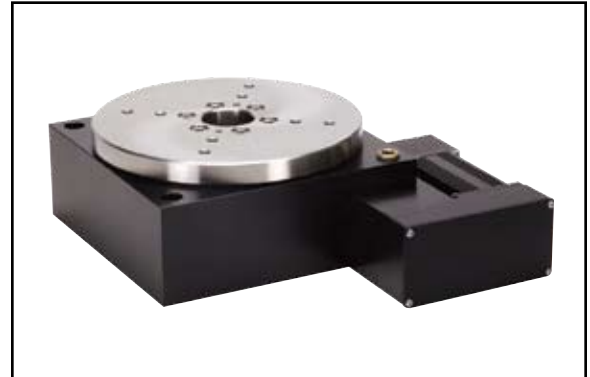
Dimensions



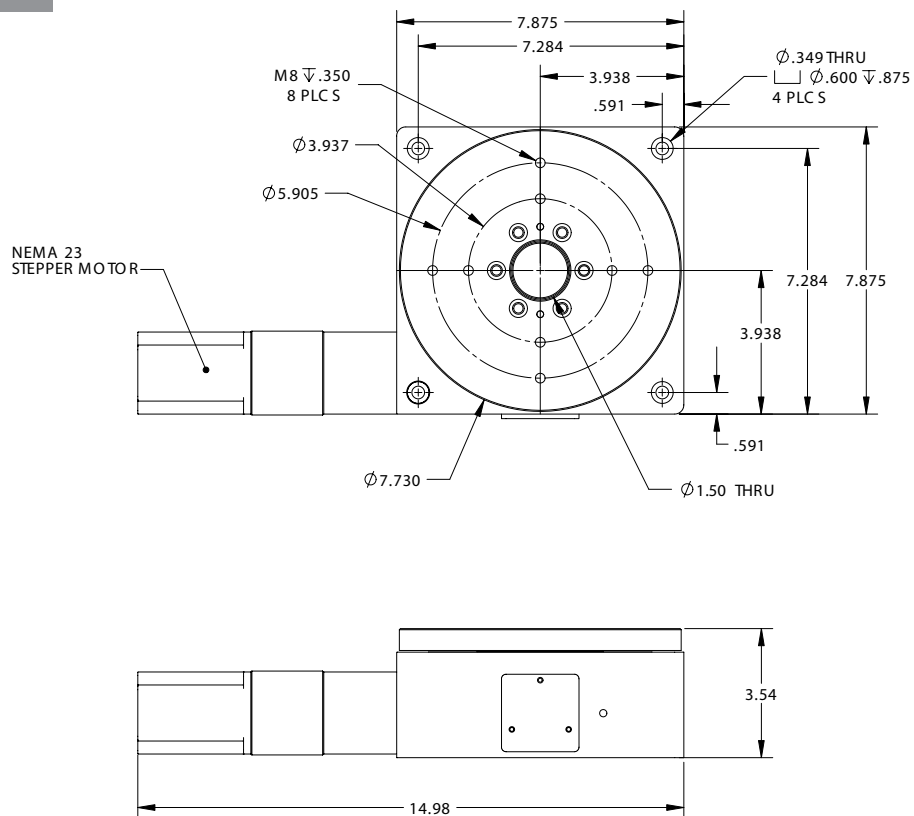
RM-8 Series Rotary Stage

RM-8 Specifications

Repeatability	5 arc-seconds
Resolution	0.32 arc-seconds (Microstepping)
Gear Ratio	80:1
Motor Size	Nema 23
Moment	200 ft-lbs
Max. Load	700 lbs.
Max. Input Speed	1500 RPM
Travel	360° Continuous
Stage Weight	30 lbs.

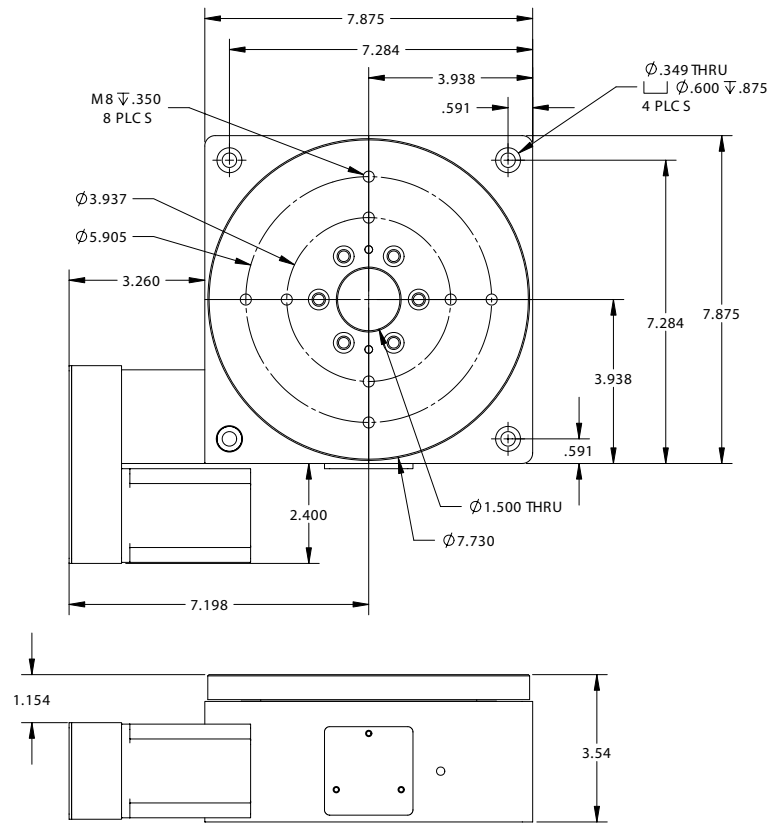


Dimensions

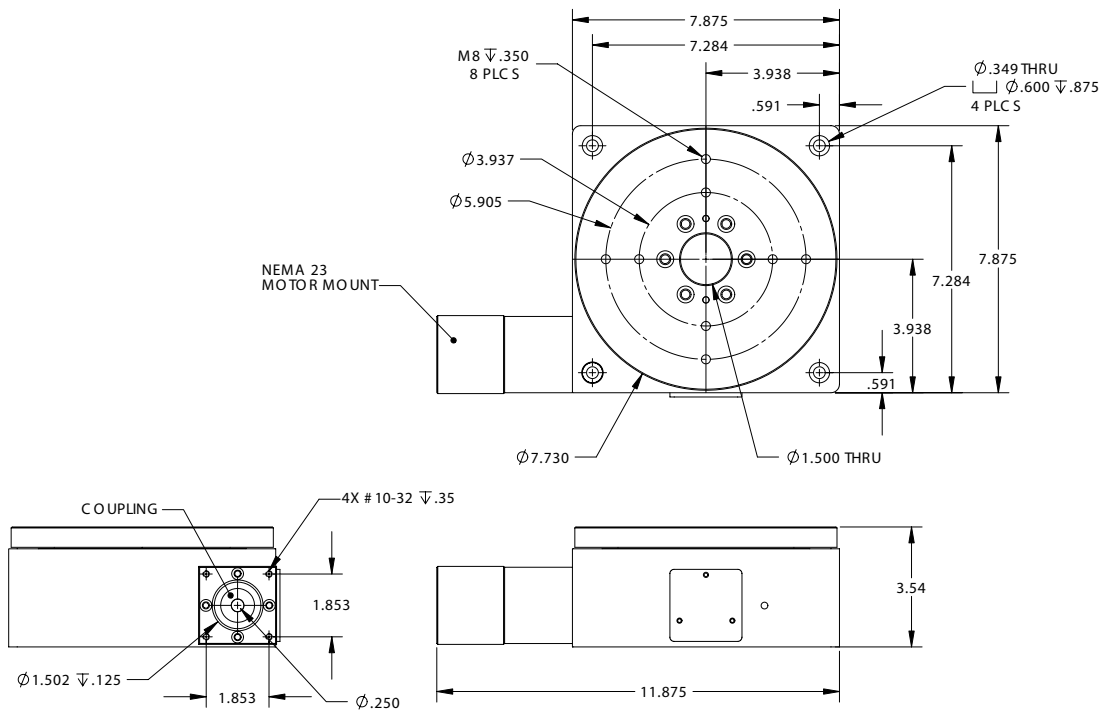


Dimensions

Belt Drive Option



Dimensions



Newmark Systems, Inc is a world-wide leading designer and manufacturer of precision positioning systems for OEM applications as well as research and development for optical technologies. Newmark's products and expertise are increasingly utilized in sophisticated new technologies including semiconductor manufacturing and testing, and fiber optic communications.

Since 1995, Newmark Systems, Inc has consistently provided positioning equipment, motion control and optical solutions to a growing number of an elite group of industry leaders that includes names such as Hughes, Raytheon, Boeing, Textron, Intel, Lucent and Delphi.

Newmark's precision systems and components have also found a niche in the research arena. We are proud to have been able to provide quality engineering support and positioning components to Research organizations such as JPL, UCLA, TRW, Lawrence Livermore and Cornell University.



Corporate Headquarters

23362 Madero Road, Suite G
Mission Viejo, CA 92691

949-830-0621 tel
949-830-9390 fax

www.newmarksystems.com